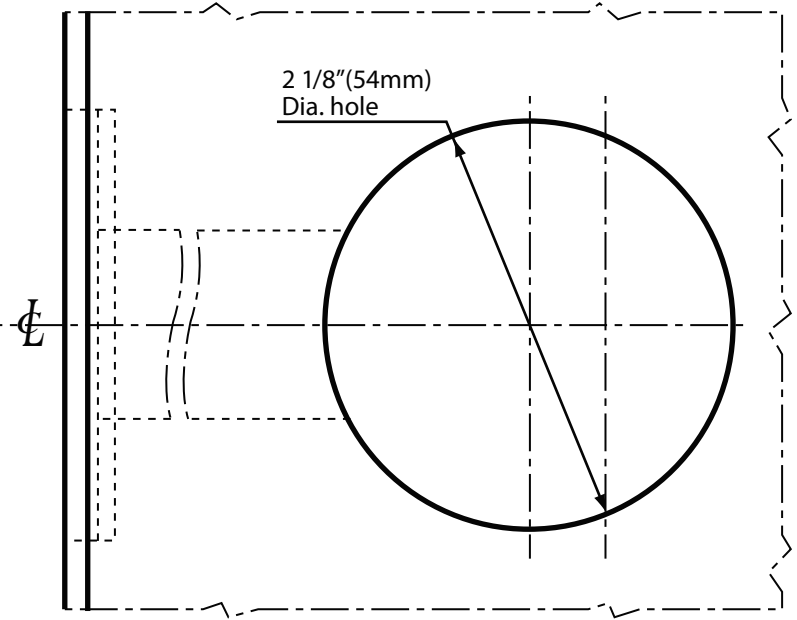
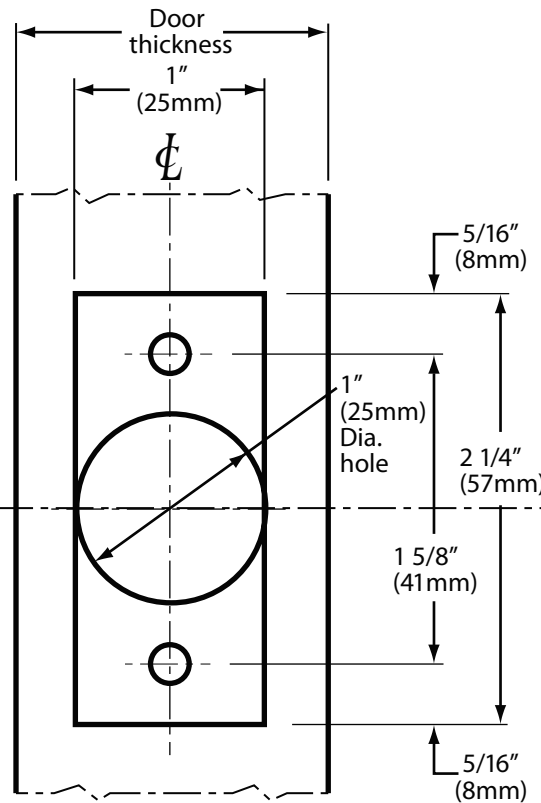
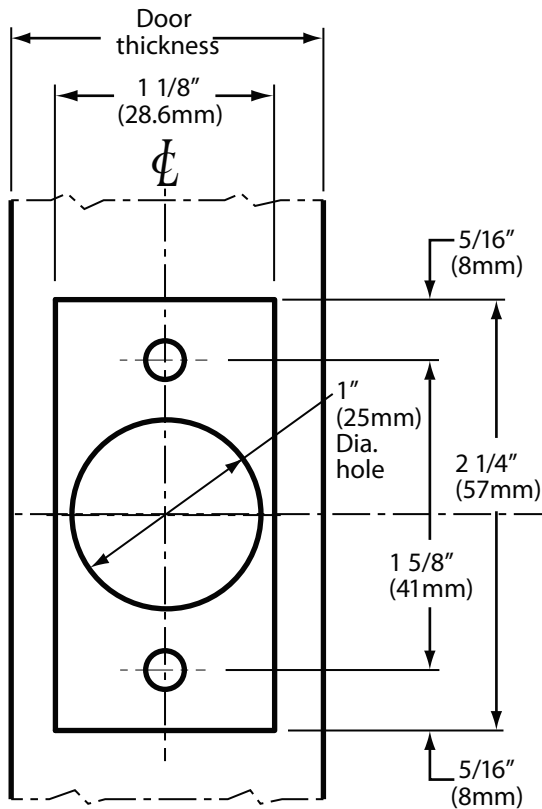
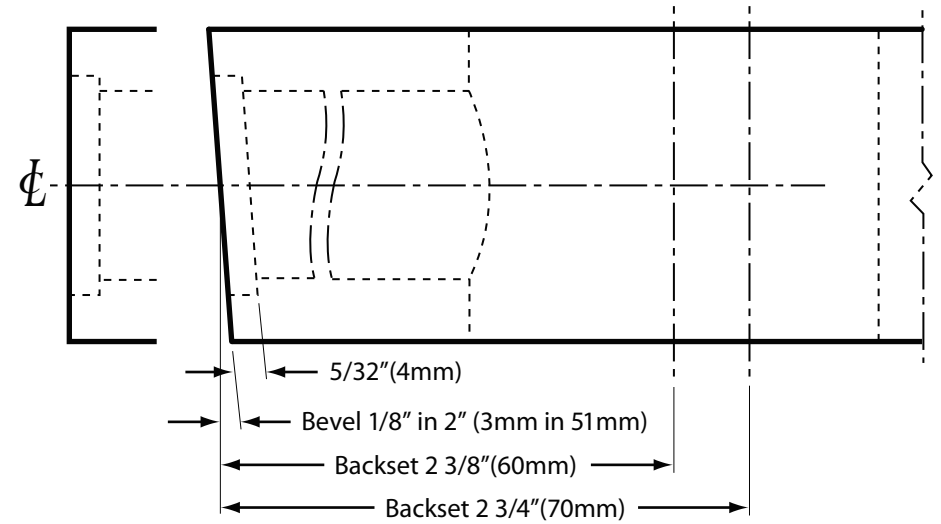
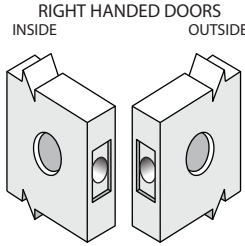
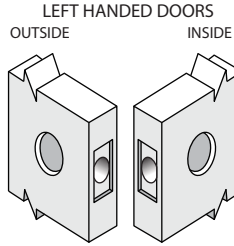


Standard Packaging:

1. Adjustable latch bolt
2-3/8" - 2-3/4".
2. Face plate 1" x 2-1/4".
3. Plastic filler for 1-1/8"
latch prep.



6605 Flotilla St.
City of Commerce
CA 90040 USA
Tel: (323) 888-6601
FAX: (323) 888-6699
Website: cal-royal.com
Email: sales@cal-royal.com

ITEM NO.	DESCRIPTION	ANSI	SCALE	UNIT	VERSION
CB160	SINGLE CYLINDER STANDARD DUTY DEADBOLT	A156.5 Grade 2	1 : 1	inches (mm)	ver. 1.0 rev. 01/12
			PAGE 1 OF 1		BY: bteves/adg